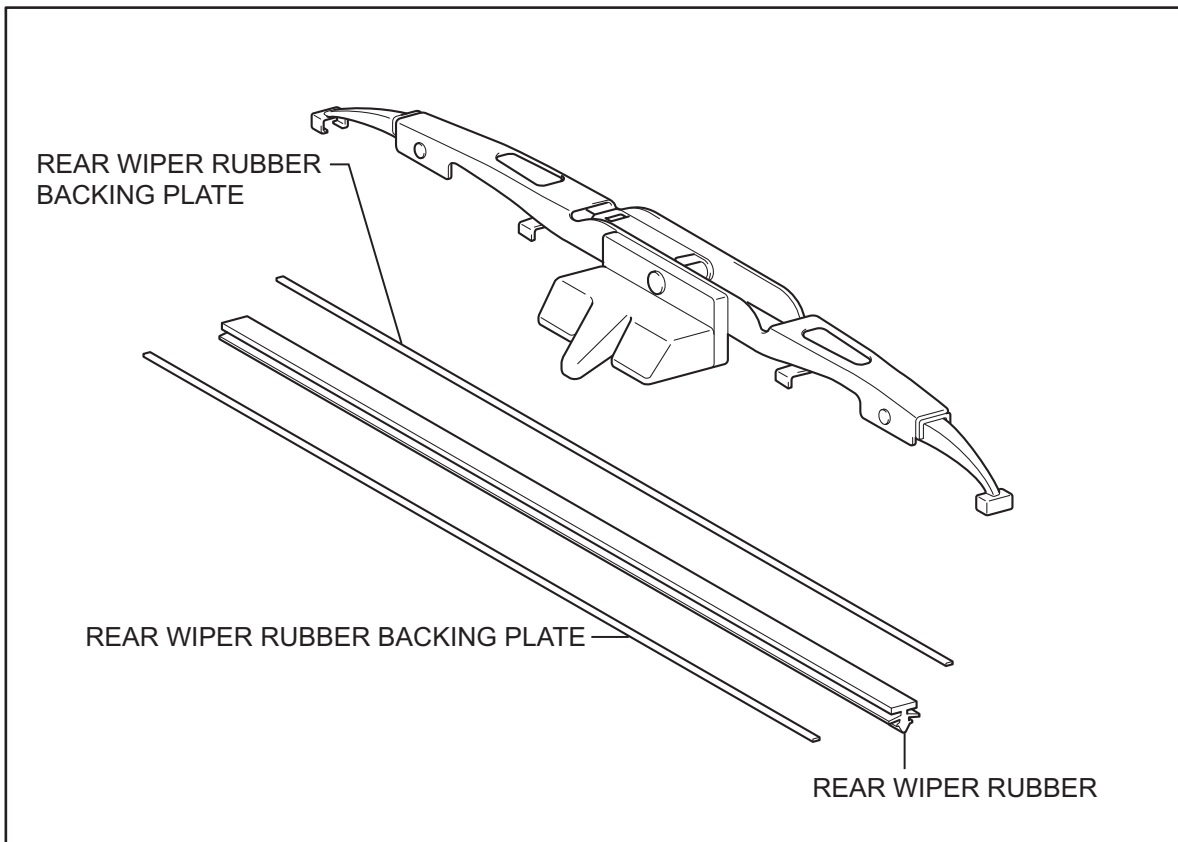
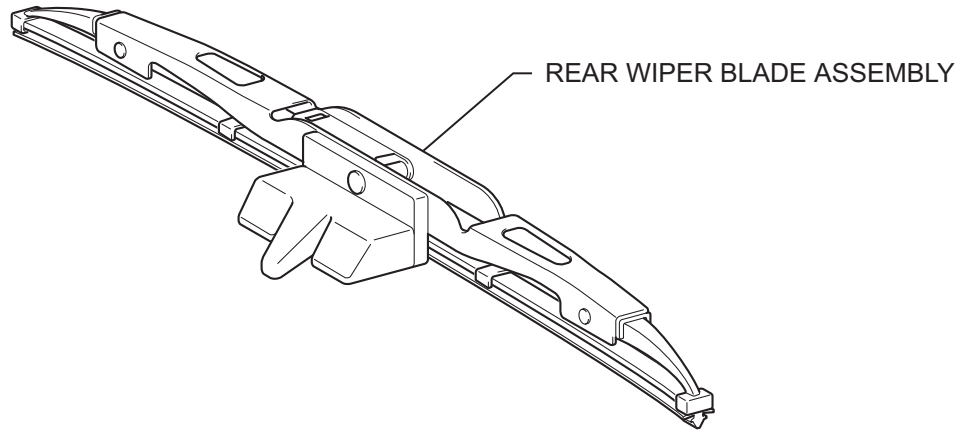


REAR WIPER RUBBER

COMPONENTS



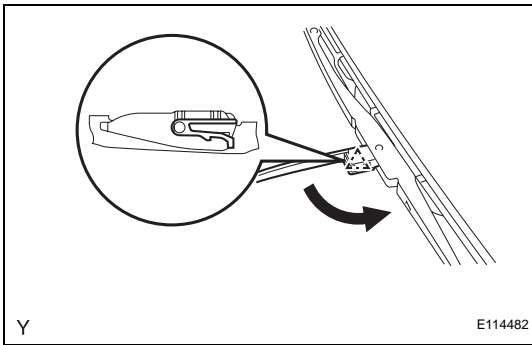
REMOVAL

1. REMOVE REAR WIPER BLADE ASSEMBLY

- (a) Disengage the claw as shown in the illustration.

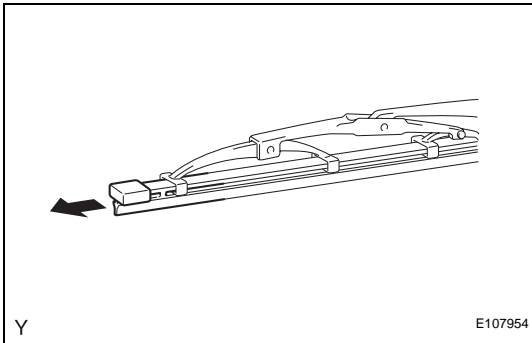
NOTICE:

Do not fold the wiper arm with the wiper blade removed. The arm tip may damage the windshield surface.

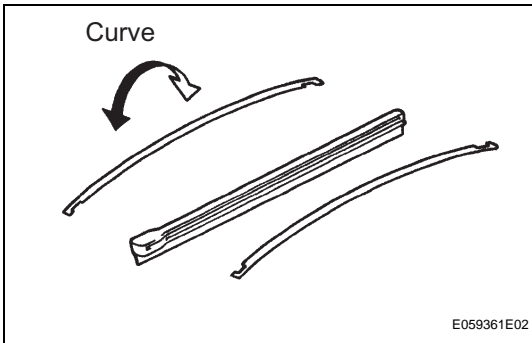


2. REMOVE REAR WIPER RUBBER

- (a) Remove the wiper rubber from the wiper blade.



- (b) Remove the 2 wiper rubber backing plates from the wiper rubber.



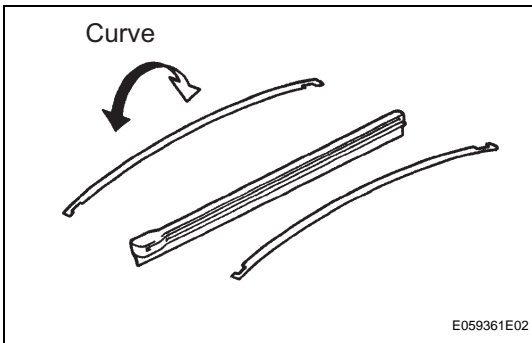
INSTALLATION

1. INSTALL REAR WIPER RUBBER

- (a) Install the 2 wiper rubber backing plates onto the wiper rubber.

NOTICE:

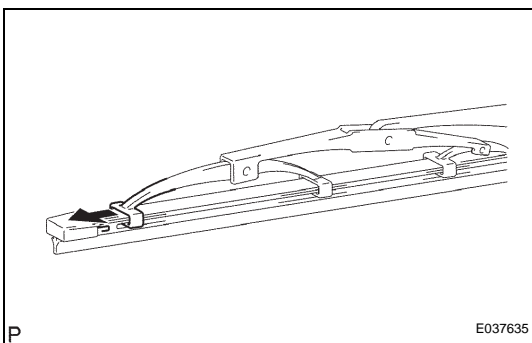
Install the backing plates facing the correct direction.

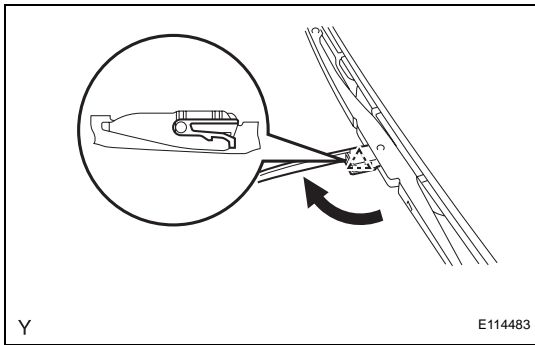


- (b) Install the wiper rubber with its head portion (swelled portion) facing the arm bearing.

NOTICE:

Push the wiper blade into the grooves of the wiper rubber to attach it completely.





2. **INSTALL REAR WIPER BLADE ASSEMBLY**
 - (a) Engage the claw and install the wiper blade.